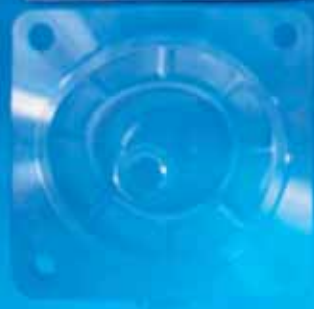


Rexroth IndraDrive Cs Multiprotocol-capable compact drives

Universal, intelligent and economical

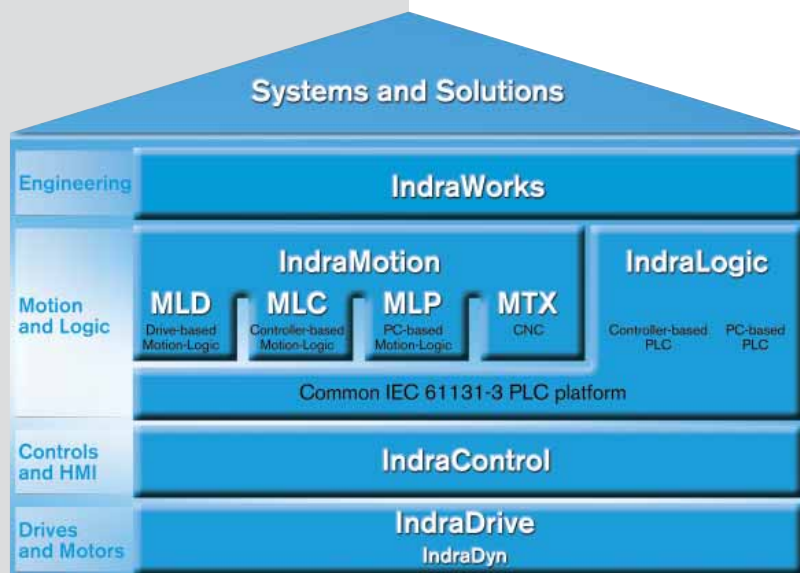


Rexroth IndraDrive Cs – Compact drives with Ethernet-based communication

With the new series of compact IndraDrive Cs drives, Rexroth is expanding the lower power range of the IndraDrive drive system that has enjoyed worldwide success. In addition to its space-saving design and outstanding performance data the IndraDrive Cs also offers an extensive range of Ethernet-based communication interfaces.

The newly developed communication hardware with multiple protocol compatibility enables the IndraDrive Cs to meet today's higher requirements for openness and consistency. SERCOS III, PROFINET IO, EtherNet/IP and EtherCat are available even in the first expansion level. These Ethernet-based interfaces are connected via universal communication hardware which is easily configured by means of software.

Rexroth has thus given users a high degree of flexibility in communication with minimal engineering work. Combined with the new multiple transducer interface for evaluating all standard encoder types and an additional vacant slot, it is possible to confidently cover very specific drive tasks. With IEC-compliant Motion Logic and industry-specific technology modules the IndraDrive Cs is ideally suitable for a wide variety of applications.



Our Automation House is a unique modular toolkit which gives you everything you need to create leading-edge automation solutions. From drives and controllers right through to a high-performance framework for consistent engineering and user-friendly operation. This innovation brings you all the latitude associated with modern automation technology – consistency, intelligence and forward compatibility.

The drives – Universal and intelligent

Multiple Ethernet

The new communications interface with multiple protocol compatibility enables IndraDrive Cs to be used on a universal basis with a wide range of Ethernet-based communication protocols – without even requiring any changes to the hardware.

IndraDrive Cs supports the following protocols:

- SERCOS III
- PROFINET IO
- EtherNet/IP
- EtherCat

In addition, IndraDrive Cs can also be equipped with a conventional communication interface such as PROFIBUS DP, for example.

Multiple encoder

supported as standard

With its multiple transducer interface, IndraDrive Cs is able to support all standard encoder types – which gives you total freedom to select the encoder and motor system of your choice.

IndraDrive Cs supports the following encoder types:

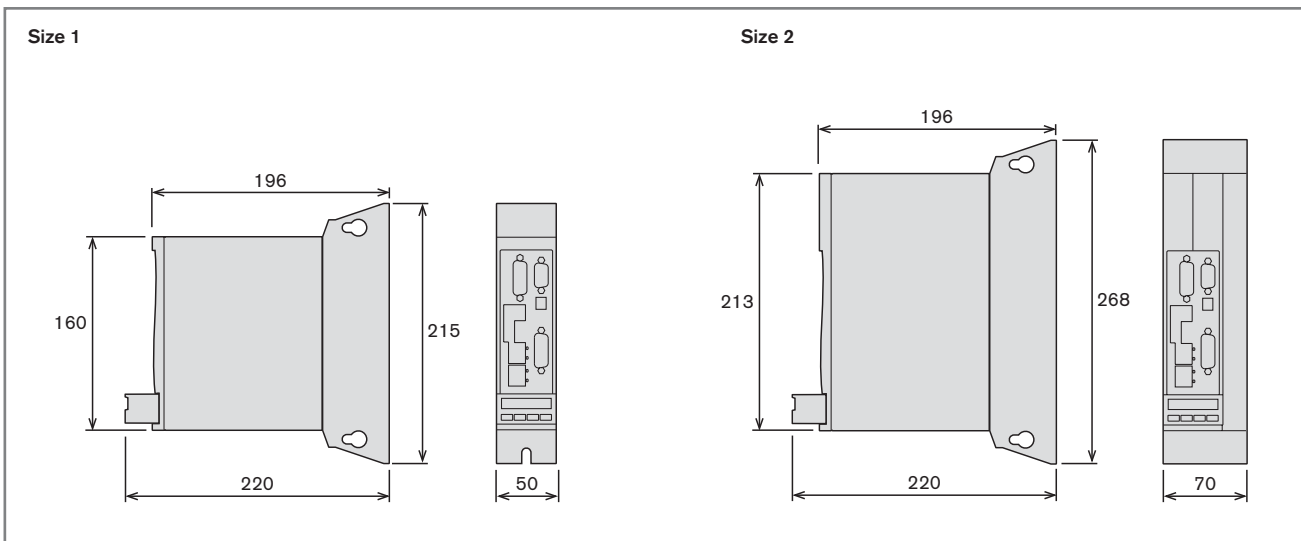
- EnDat 2.1 and EnDat 2.2 absolute encoders
- Hiperface® absolute encoders
- absolute encoders from Rexroth MSM Motors
- 1 V_{pp} incremental signals
- 5 V TTL incremental signals
- Resolver





Technical features

- 2 series for direct connection to 110 - 230 V AC or 200 - 500 V AC line
- suitable for motors with continuous outputs of 0.05 to 3.5 kW
- complete range of scalable drives
- compatible with the IndraDrive family
- digital inputs/outputs and analog input on board
- intelligent operating panel with programming module function
- IEC-compliant Motion Logic (optional)
- integrated safety technology (coming soon)



Converter	Size 1						Size 2	
Type	HCS01.1E-W0003	HCS01.1A-W0006	HCS01.1E-W0009	HCS01.1E-W0013	HCS01.1E-W0005	HCS01.1E-W0008	HCS01.1E-W0018	HCS01.1E-W0028

Performance data									
Mains connection voltage	V	3 AC 110 ... 230 V*				3 AC 200 ... 500 V*			
Continuous current	A_{eff}	1,1	2,0	3,0	4,4	1,7	2,7	6,0	11,5
Maximum current	A_{eff}	3,3	6,0	9,0	13,0	5,0	8,0	18,0	28,0
Continuous mechanical output	W	100	200	400	750	400	750	1.500	3.500

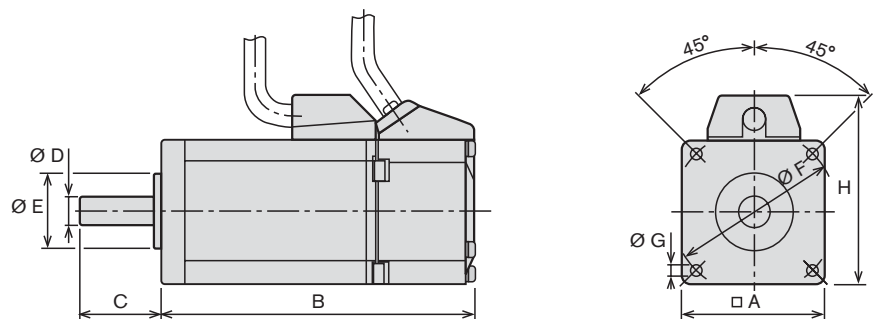
*Derating at operation with single-phase power supply

The motors – Dynamic and compact



The maintenance-free MSM motors are available in five sizes with continuous mechanical outputs of up to 750 W. Thanks to their high power density in combination with a short length and minimal flange size they are suitable for use in a wide variety of applications. The motors designed to protection category IP54 are equipped with an absolute encoder and can be supplied optionally either with or without a holding brake. They are absolutely ideal for use on control equipment for connecting to 3 AC 230 V lines. For higher mains connection voltages and continuous ratings of up to 3.5 kW, please choose from our comprehensive range of IndraDyn motors.

Dimensions



Motor	Continu- ous rating	Continuous standstill torque	Maximum torque	Maxi- mum speed	Dimensions								Protection category
	P_N [W]	M_O [Nm]	M_{max} [Nm]	n_{max} [min ⁻¹]	A [mm]	B without/ with brake [mm]	C [mm]	Ø D [mm]	Ø E [mm]	Ø F [mm]	Ø G [mm]	H [mm]	
MSM 019A	50	0,16	0,48	5.000	38	72/102	25	8	30	45	3,4	51	IP54 (shaft IP40)
MSM 019B	100	0,32	0,95	5.000	38	92/122	25	8	30	45	3,4	51	
MSM 031B	200	0,64	1,91	5.000	60	79/115,5	30	11	50	70	4,5	73	
MSM 031C	400	1,3	3,8	5.000	60	98,5/135	30	14	50	70	4,5	73	
MSM 041B	750	2,4	7,1	4.500	80	112/149	35	19	70	90	6	93	

Bosch Rexroth AG
Electric Drives and Controls
P.O. Box 13 57
97803 Lohr, Germany
Bgm.-Dr.-Nebel-Str. 2
97816 Lohr, Germany
Phone +49 9352 40-0
Fax +49 9352 40-4885
www.boschrexroth.com

Presented by



The data specified above only serve to describe the product.

As our products are constantly being further developed, no statements concerning a certain condition or suitability for a certain application can be derived from our information. The information given does not release the user from the obligation of own judgment and verification. It must be remembered that our products are subject to a natural process of wear and aging.

71 517 AE/2008-05-A2-HW
R911323372
© Bosch Rexroth AG 2008
Subject to revisions!
Printed in Germany